



Better FTTx, Better Life.



December, 2025

Technical Information

FCST-TH-SMC11-400 Square Acces Chamber

M:+86 18720624696
Email:sales@fcst.com
Tel:+86-21-38726791 38726792

www.fcst.com

www.micro-duct.com





Square Acces Chamber

FCST-TH-SMC11 Series Square Acces Chamber for floor installation. It has a blind cover and four punched holes for the connection of pipes. Ideal for water drainage, both indoors and outdoors. Material of excellent quality and very robust.



- The load capacity is up to 1.5 tons.
- Internal dimensions: 353*353*400 mm.
- Depth can be stacked according to requirements.
- Made of high quality and resistant gray PP plastic.
- Prefabricated structure reduces on-site construction costs.
- Four pre-drilled holes are provided on each side.(50/63/75/100/110/125/160/200/250mm)
- Suitable for multiple industries (Water, Drainage, Electricity, Electric power, Municipal administration)



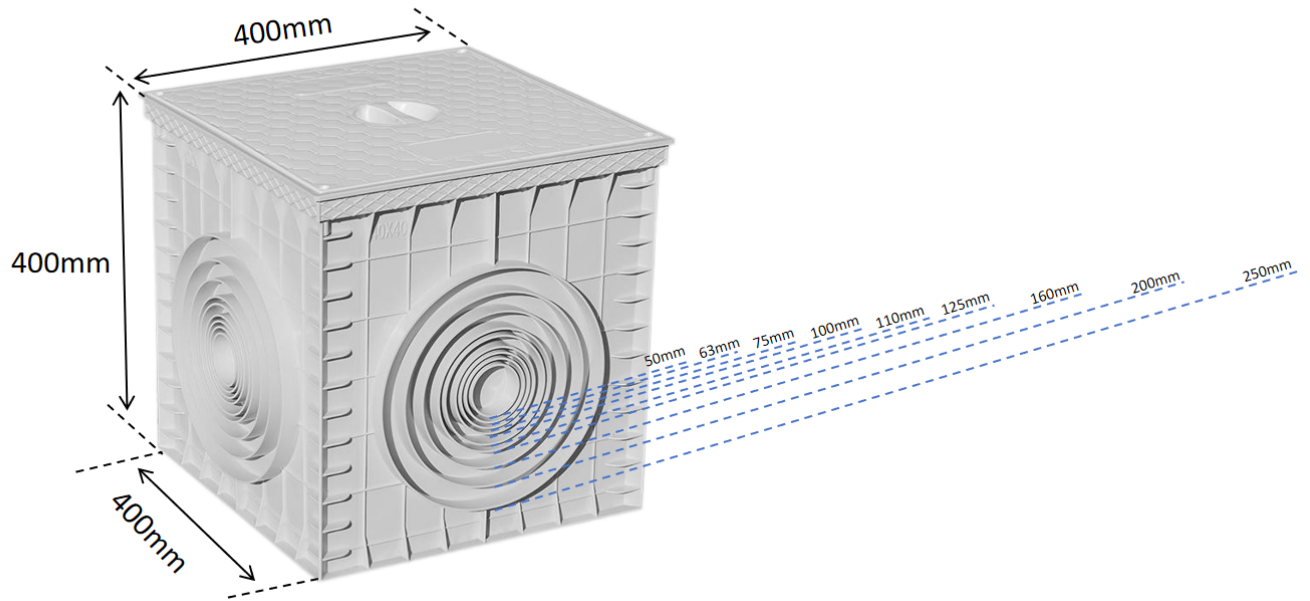
Product Specifications

Construction	Description
Material	PP
Manhole Cover Load Grade	0.5T/1.5T
Lengt	353.00mm 13.9in
Width	353.00mm 13.9in
Depth	400.00mm 15.75in
Weight	4.63kg
Reserved Hole	50/63/75/100/110/125/160/200/250mm



Product Size

External Size(L*W*D)	Internal Dimensions(L*W*D)	Manhole Cover Load Grade
400*400*400mm (15.75"x15.75"x15.75")	353*353*400mm (13.9"x13.9"x15.75")	0.5T/1.5T



Ordering Information



*Note: The specified model is determined based on optional configurations. For example: FCST-TH-SMC11-400--A1.



Product Application



Note : The practical application of this Composite Manhole Chamber, covering many fields such as municipal administration, electric power,electricity, water , road administration,and drainage.

On each side of the product. The size of the drill hole can be adjusted at the construction site according to the actual size of the HDPE Silicon Pipe/HDPE Micro-duct.

Related Products



Fiber Optic Splice Closure



Fiber Optic Cable



Micro Duct Connector

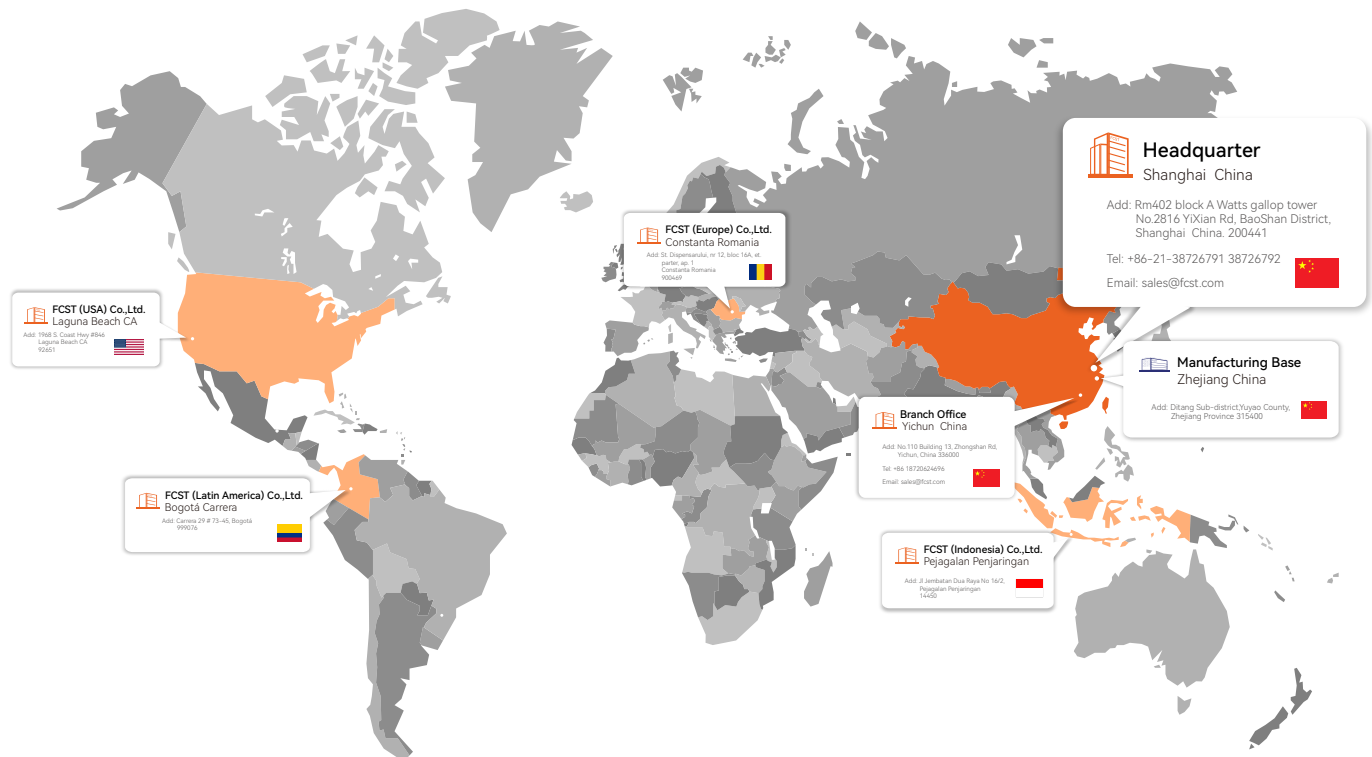


Microduct



Better FTTx, Better Life.

Fiber Cable Solution Technology Co.,Ltd.



FCST (USA) Co.,Ltd.
Laguna Beach CA
Add: 198 S. Coast Hwy #100
Laguna Beach CA 92653

FCST (Latin America) Co.,Ltd.
Bogotá Carrera
Add: Carrera 29 # 73-45, Bogotá 99952

FCST (Europe) Co.,Ltd.
Constanta Romania
Add: Str. Ciocanelor nr. 12, bloc 18-16
parter, ap. 1
Constanta Romania 900457

Branch Office
Yichun China
Add: No.110 Building 13, Zhongshan Rd.
Yichun, China 335000
Tel: +86 1872624616
Email: sales@fcst.com

FCST (Indonesia) Co.,Ltd.
Pejagalan Penjarangan
Add: Jl. Jemberan Dua Raya No. 162,
Pejagalan Penjarangan
TACSI

Headquarter
Shanghai China
Add: Rm402 block A Watts gallop tower
No.2816 YiXian Rd, BaoShan District,
Shanghai China. 200441
Tel: +86-21-38726791 38726792
Email: sales@fcst.com

Manufacturing Base
Zhejiang China
Add: Ditung Sub-district,Yuyao County,
Zhejiang Province 315400

FCST - Better FTTx, Better Life.

At FCST, we manufacture top-quality microduct connectors, microduct closure, telecom manhole chambers and fiber splice boxes since 2003. Our products boast superior resistance to failure, corrosion, and deposits, and are designed for high performance in extreme temperatures. We prioritize sustainability with mechanical couplers and long-lasting durability.

FCST aspires to a more connected world, believing everyone deserves access to high-speed broadband. We're dedicated to expanding globally, evolving our products, and tackling modern challenges with innovative solutions. As technology advances and connects billions more devices, FCST helps developing regions leapfrog outdated technologies with sustainable solutions, evolving from a small company to a global leader in future fiber cable needs.

Rm402 block A Watts gallop tower No.2816 YiXian Rd, BaoShan District, Shanghai 200441.
Tel:+86-21-38726791 +86-21-38726792 Fax:+86-21-38726793