



Better FTTx, Better Life.

March, 2026

Technical Information

L-ERPG

LSZH Microduct Reducer Connector

-For Indoor

M:+86 18720624696

Email:sales@fcst.com

Tel:+86-21-38726791 38726792

www.fcst.com

www.microductcoupler.com





LSZH Microduct Reducer Connector

LSZH Microduct Reducer Connector Make connections between Microducts quickly and easily in in-building applications, without the need for tools. Transparent design affords greater control when connecting Microducts and enables visual confirmation of the presence of a cable.



- For 5-14 mm Microducts.
- Easy " push-in" installation.
- Crystal clear transparent body.
- 95% of the material is made of non-metal.
- Tested in accordance to EN 50411-2-8:2009.
- Locking rings to prevent accidental removal of connector.
- Tested in accordance to UL94 V-0: flame resistance for in-building applications.



IP68



Product Specifications

Construction	Description
Tube To Connector	LSZH Microduct(Indoor)
Fluid	Air with blowing system
Working Pressure	20 bar
Burst Pressure	25 bar
Estimated Life	25 years
Protection Class	IP68
Water Ingress Test	0.5 bar during 168 hours
Installation Temperature	-15°C to +45°C
Operation Temperature	-15°C to +45°C
Transport and Storage Temperature	-15°C to +45°C
Insertion Force	Size ≤ 12mm, ≤ 50 N Size ≥ 14mm, ≤ 120 N
Impact Resistance	1.5J
According To Standards	UL94 V-0, CEI EN 50411-2-8, EN 50411-2-5

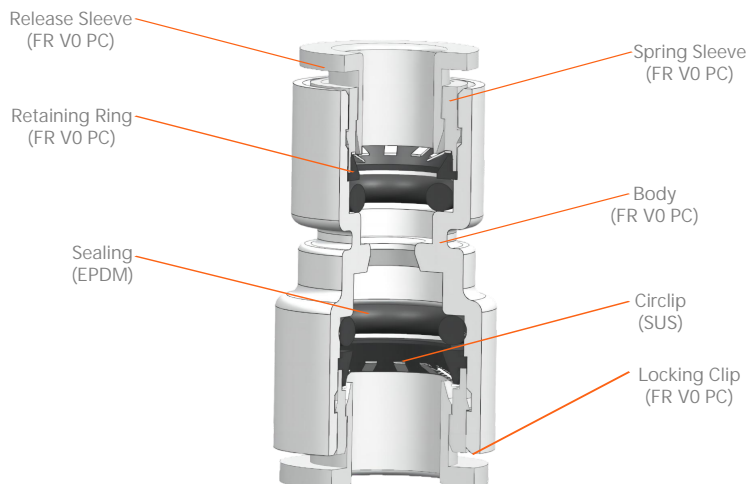


Standards

Construction

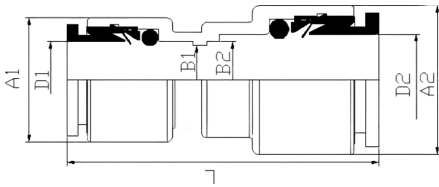
- EN 60529:IP68
- EN 61300-2-26: Salt Mist
- EN 61300-2-33: Re-entries
- UL94-V0 Vertical Burning Test
- EN 61300-2-10: Crush Resistance
- EN 61300-3-1: Visual Appearance
- EN 61300-2-4: Microduct Retention
- EN 61300- 2-34: Chemical Resistance
- EN 50411-2-8:Annex E:Insertion Force
- EN 61386-22: Glow Wire Test at 750°C
- EN 60794- 1-2: 2003,Method E4:Impact
- EN 50411-2-8:Annex D:Installation Test
- EN 61300-2-22: Change of T emperature
- EN60794-1-2 Method E1. Tensile Strength
- EN 61300-2-38: 2006,Method B:Pressure Loss
- EN 50411-2-8:Annex C: High Pressure Resistance
- EN 61300-2-23: 1997,Method 2:Water Immersion
- EN 61386- 24: Conduit Systems Buried Underground
- EN 61300-2-38:2006, Method A:Sealing Performance

Product Material





Ordering Information



Model	D1 (mm)	D2 (mm)	A1 (mm)	A2 (mm)	B1 (mm)	B2 (mm)	L (mm)	Weight (g)
L-ERPG5/3.5-3/2.1	3	5	13.5±0.2	13.5±0.2	2.1±0.12	3.5±0.12	35.8±0.5	3.9±5%
L-ERPG7/4-3/2.1	3	7	15.2±0.2	15.2±0.2	2.1±0.12	4.0±0.12	41.2±0.5	4.2±5%
L-ERPG7/4-5/3.5	5	7	15.2±0.2	15.2±0.2	3.5±0.12	4.0±0.12	41.2±0.5	4.3±5%
L-ERPG8-6/5	8	6	13.5±0.2	15.2±0.2	5.0±0.12	5.0±0.12	35.0±0.5	4.5±5%
L-ERPG10-7/5	7	10	15.2±0.2	17.5±0.2	5.0±0.12	5.0±0.12	38.0±0.5	5.5±5%
L-ERPG10/5.5-8/5	8	10	15.2±0.2	17.5±0.2	5.0±0.12	5.5±0.12	38.0±0.5	5.4±5%
L-ERPG12/8-8/5.5	8	12	15.2±0.2	21.5±0.2	5.5±0.12	8.0±0.12	45.0±0.5	8.5±5%
L-ERPG12-10/8	10	12	17.5±0.2	21.5±0.2	8.0±0.12	8.0±0.12	44.4±0.5	8.8±5%
L-ERPG12/10-10/8	10	12	17.5±0.2	21.5±0.2	8.0±0.12	10.0±0.12	44.4±0.5	8.8±5%
L-ERPG14/10-10/8	10	14	17.5±0.2	23.5±0.2	8.0±0.12	10.0±0.12	48.5±0.5	10.1±5%
L-ERPG14/10-12/10	12	14	21.5±0.2	23.5±0.2	10.0±0.12	10.0±0.12	48.5±0.5	12.1±5%

*Note: For other sizes, please contact the sales department.

Accessories Optional



Locking Clip

Related Products



Telecom Manhole Chamber



Microduct Connector



Divisible Duct Sealing

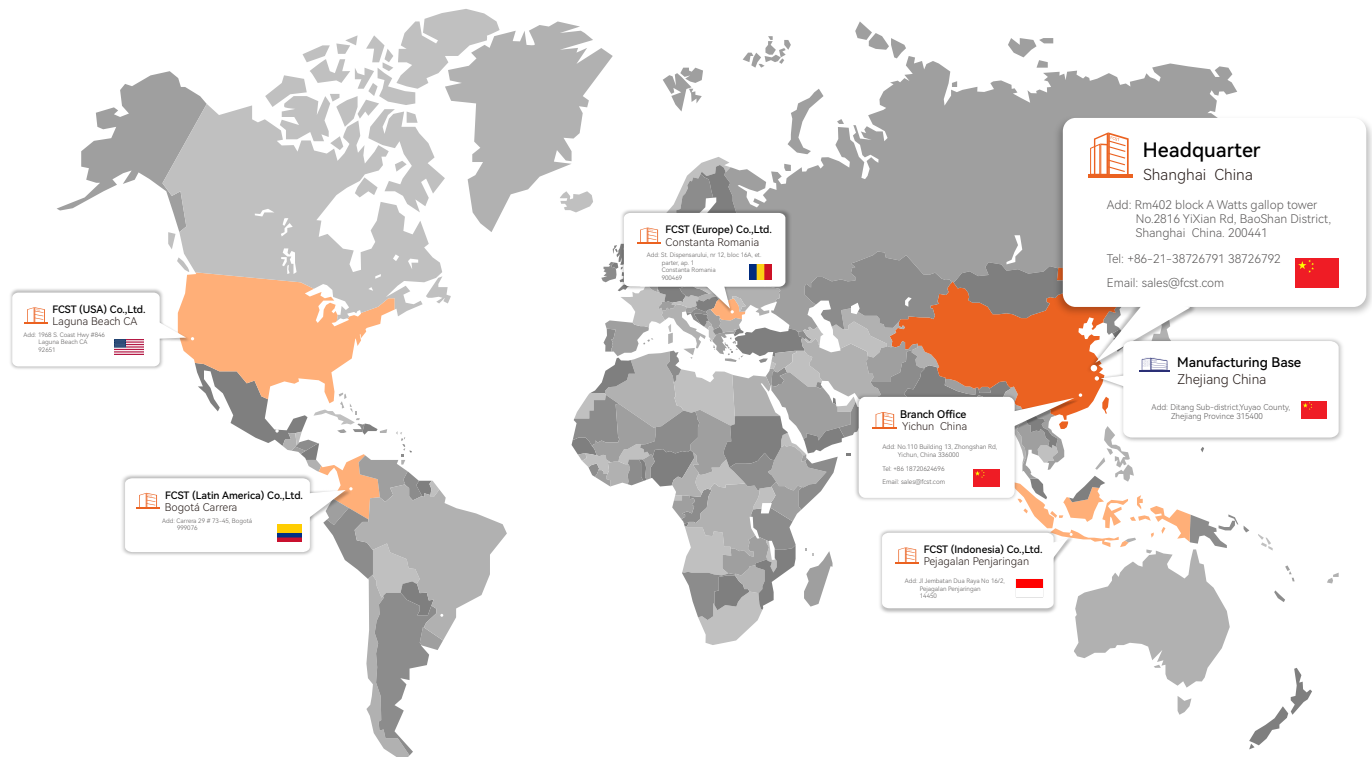


Marker Ball



Better FTTx, Better Life.

Fiber Cable Solution Technology Co.,Ltd.



FCST - Better FTTx, Better Life.

At FCST, we manufacture top-quality microduct connectors, microduct closure, telecom manhole chambers and fiber splice boxes since 2003. Our products boast superior resistance to failure, corrosion, and deposits, and are designed for high performance in extreme temperatures. We prioritize sustainability with mechanical couplers and long-lasting durability.

FCST aspires to a more connected world, believing everyone deserves access to high-speed broadband. We're dedicated to expanding globally, evolving our products, and tackling modern challenges with innovative solutions. As technology advances and connects billions more devices, FCST helps developing regions leapfrog outdated technologies with sustainable solutions, evolving from a small company to a global leader in future fiber cable needs.

Rm402 block A Watts gallop tower No.2816 YiXian Rd, BaoShan District, Shanghai 200441.
Tel:+86-21-38726791 +86-21-38726792 Fax:+86-21-38726793

www.fcst.com www.micro-duct.com

